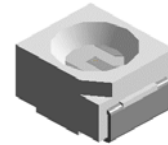


PLCC-2 Flat Package SMD LED

VR A3S8.47

Description

The constructive of this series of LED are different from the PCB type SMD LED. The lead-frame is of metal, reflector is made of thermoplastic and construct into this unique type of SMD LED. The wavelengths and luminous Intensities of this series are grouped under 10mA for uniformity. Such construction is very suitable to be used in high demanding reliability applications such as in-car dashboard or telecommunications.




Applications

- Dashboards and switch
- Backlight keypads
- Industrial control systems signal indicator
- Automotive features
- Telephone and fax backlighting or indicator
- Status indication



Electronic Optical Characteristics (at 20mA):

Part Number	Emitted Color	λ (nm)		Lens Color	Iv(mcd)		View Angle	VF(V)	
		λ d	λ p		Min.	Typ.		Typ.	Max.
VR A3S8.47	True-green 	525	518	Clear	1200	1350	120	3.3	3.7

Absolute Maximum Ratings (at Ta=25°C)

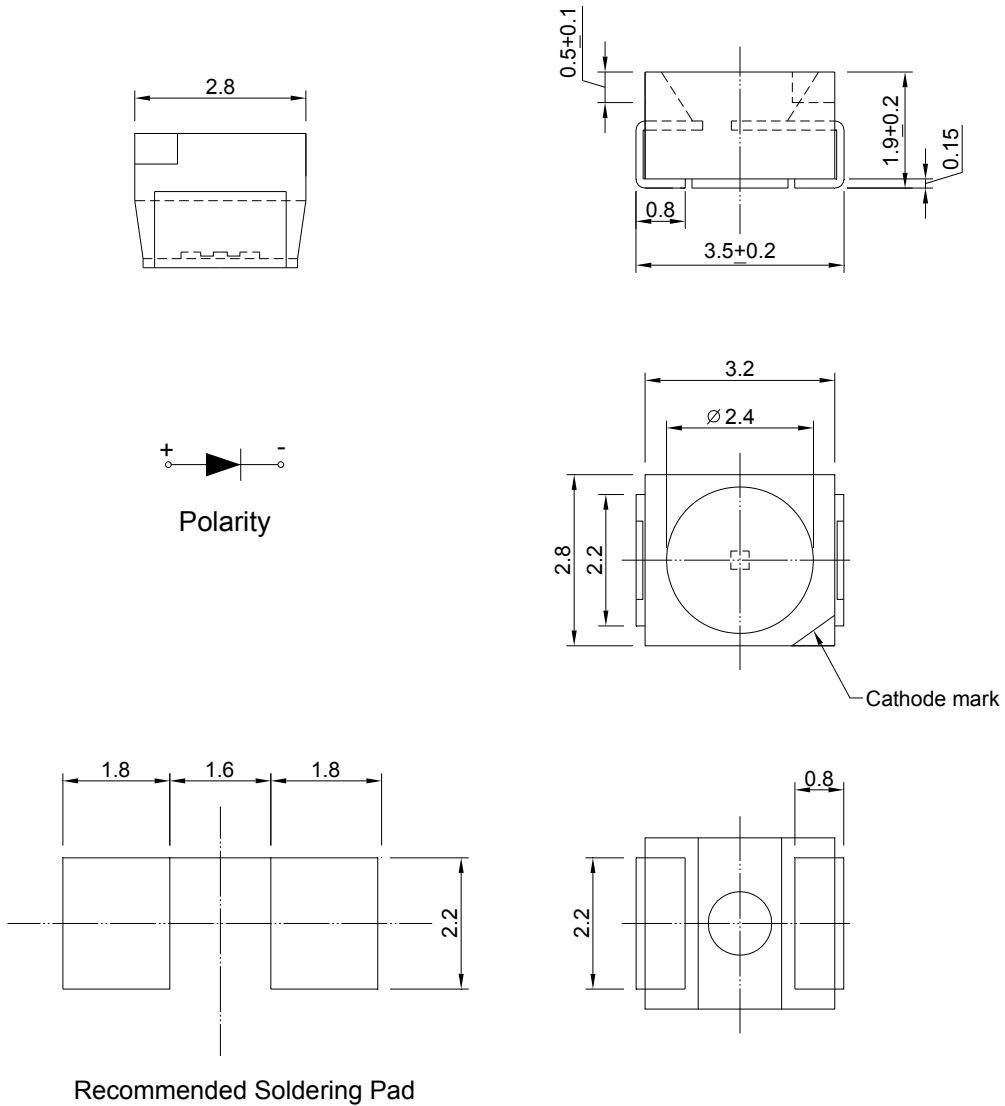
P _D (mW)	I _{PF} (mA)	I _F (mA)	Iron Solder(°C)	I _R (uA)@V _R =5V	T _{opr} (°C)	T _{stg} (°C)
95	100	25	350 ± 5 for 3 sec	50	-40~+85	-40~+100

Note: Please take note the Absolute Maximum Rating values. Any operation beyond the specified ratings in this table will result degradation of LED life-span and may cause LED to fail.

* I_{PF}: Peak Forward Current under 1/10 duty, 1KHz condition

Package Dimension:

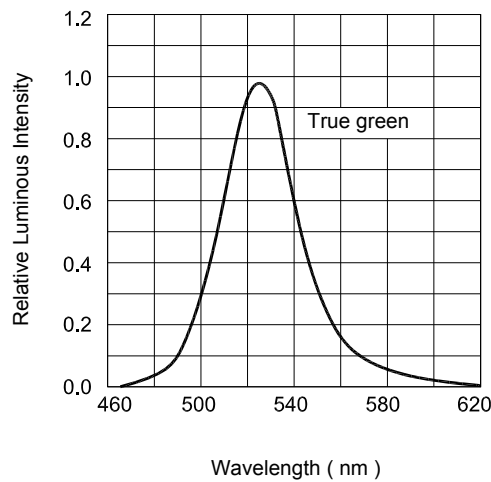
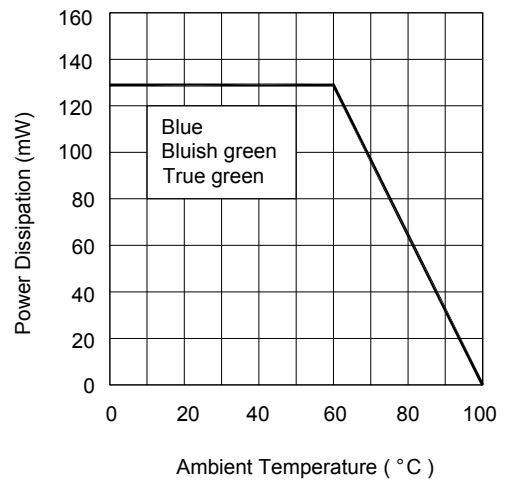
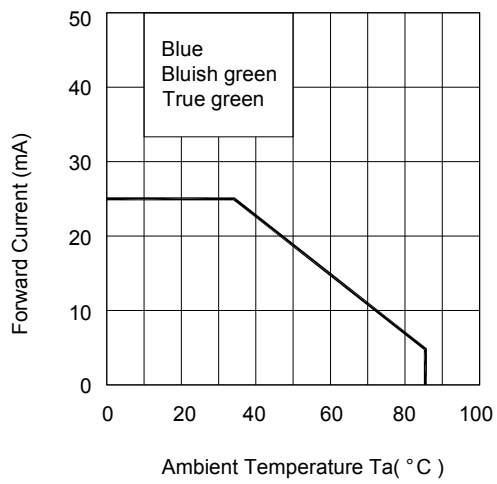
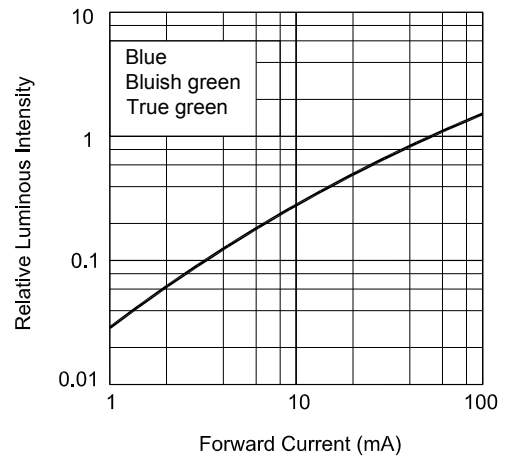
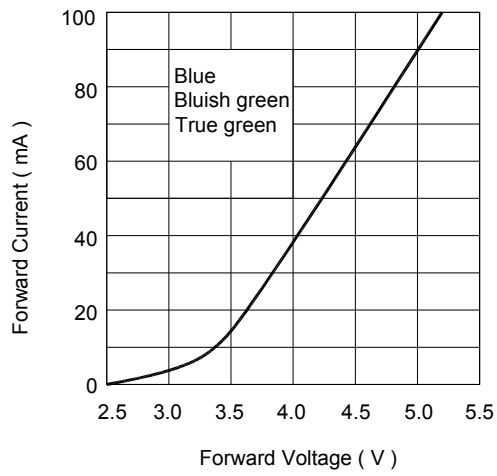
unit : mm



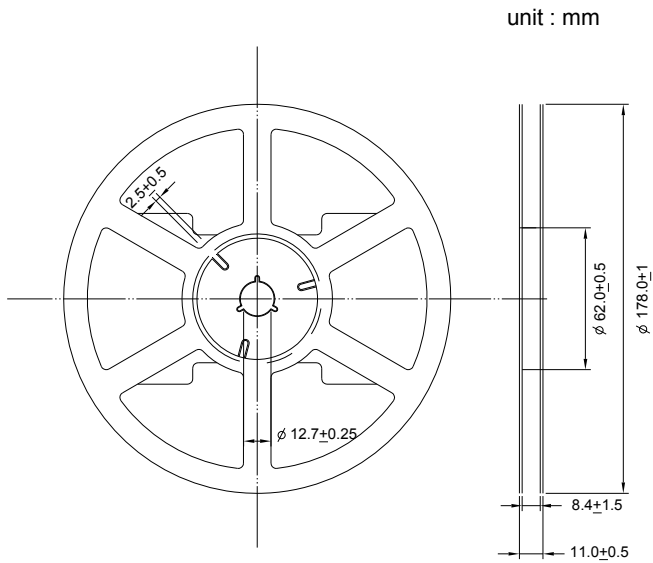
Notes:

1. All dimensions are millimeters.
2. Tolerance is ± 0.2 mm unless otherwise specified.
3. Specifications are subject to change without notice.

Optical Characteristics Curves

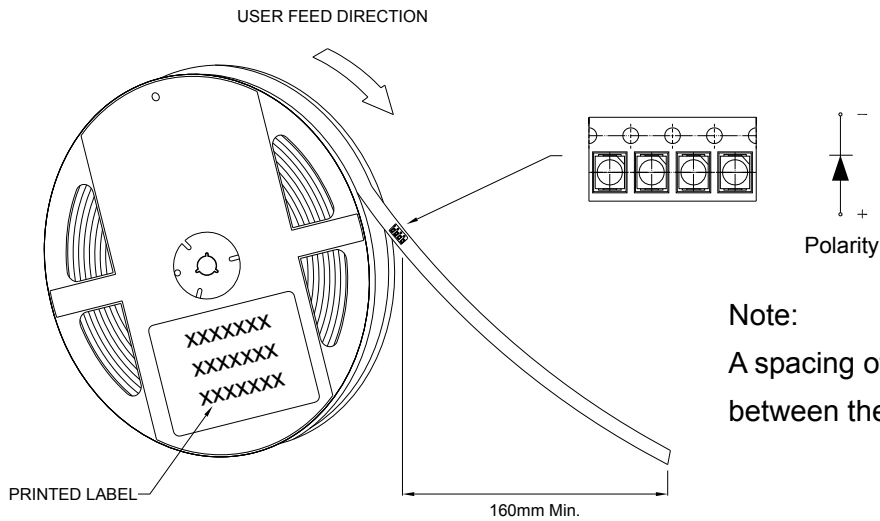


Reel Dimension:



Note:

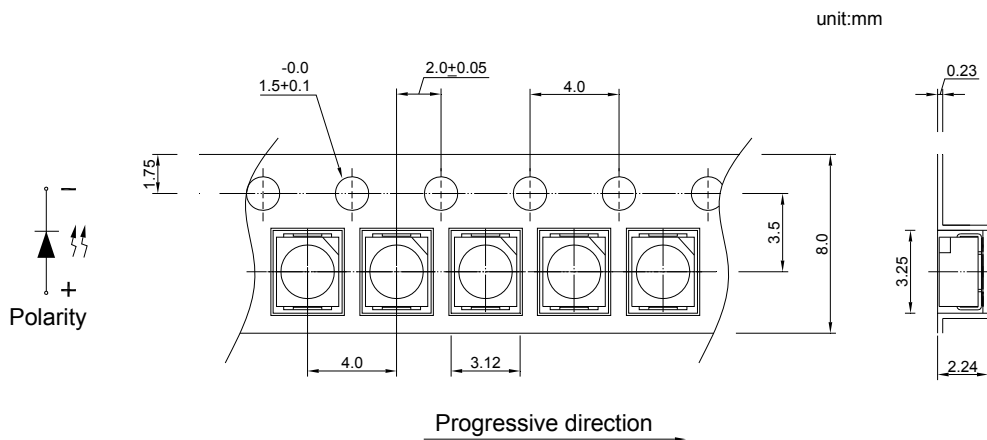
Available in 8mm carrier tape on 178mm diameter reels. (2000 pieces)



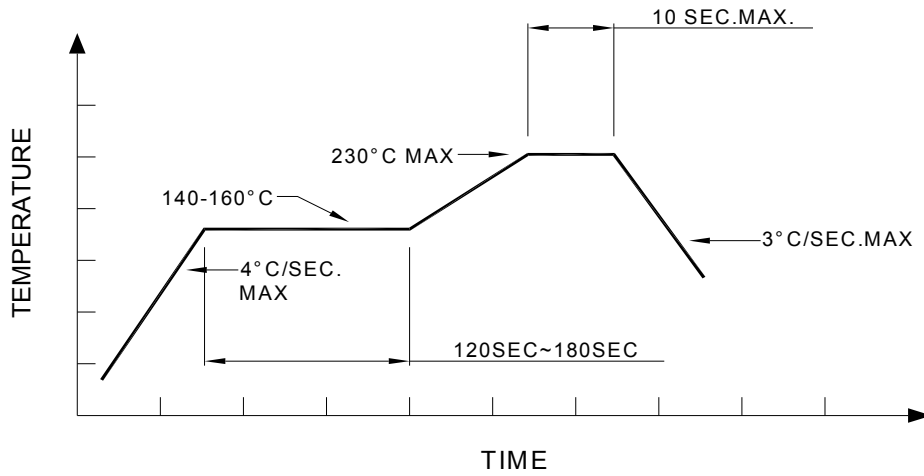
Note:

A spacing of approximately 160mm between the front edge of tape

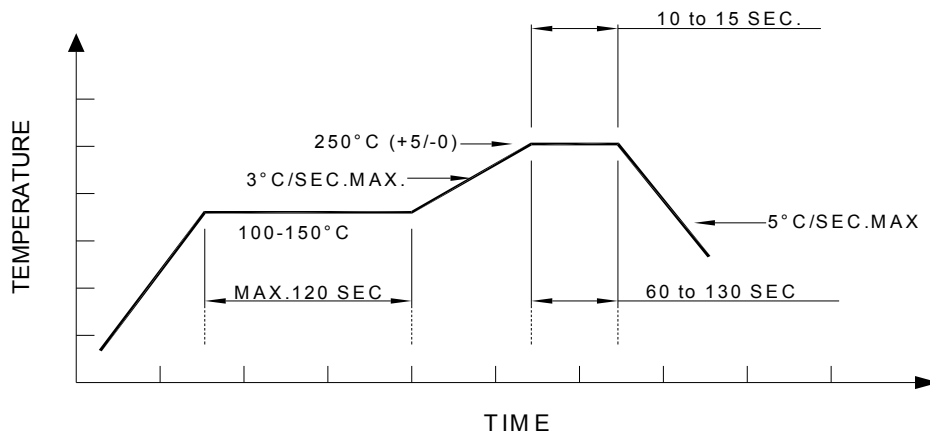
Tape Dimension:



Recommended re-flow soldering profile:



Recommended Pb-free re-flow soldering profile:



Note:

All the specifications listed in this data sheet are suitable for general electronic equipment, office equipment and communication devices. Kindly consult Sales Representatives for specific reliabilities request, Forward Voltage, Luminous Intensity, Wavelength, Radiant Power or Viewing Angle.